

4

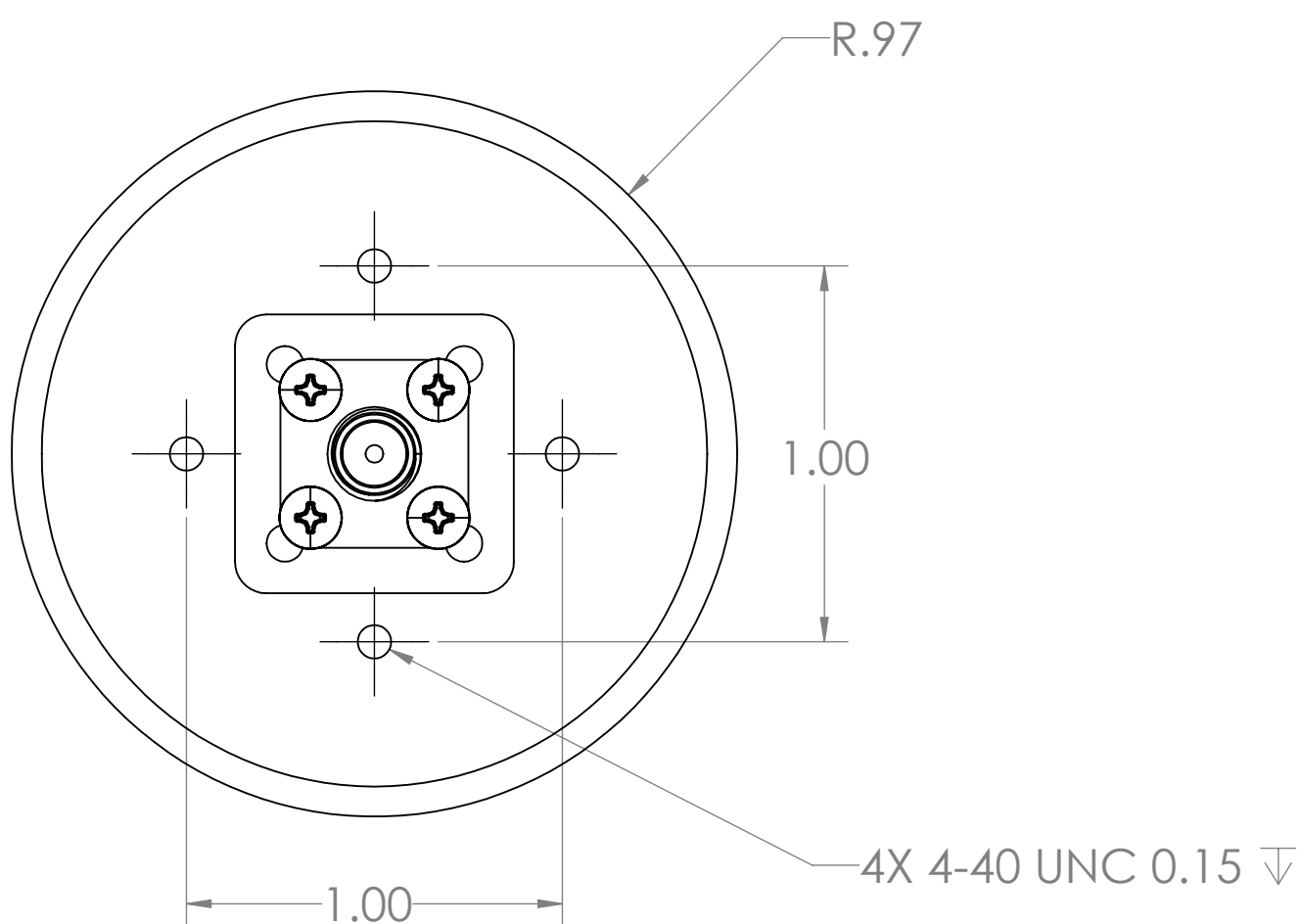
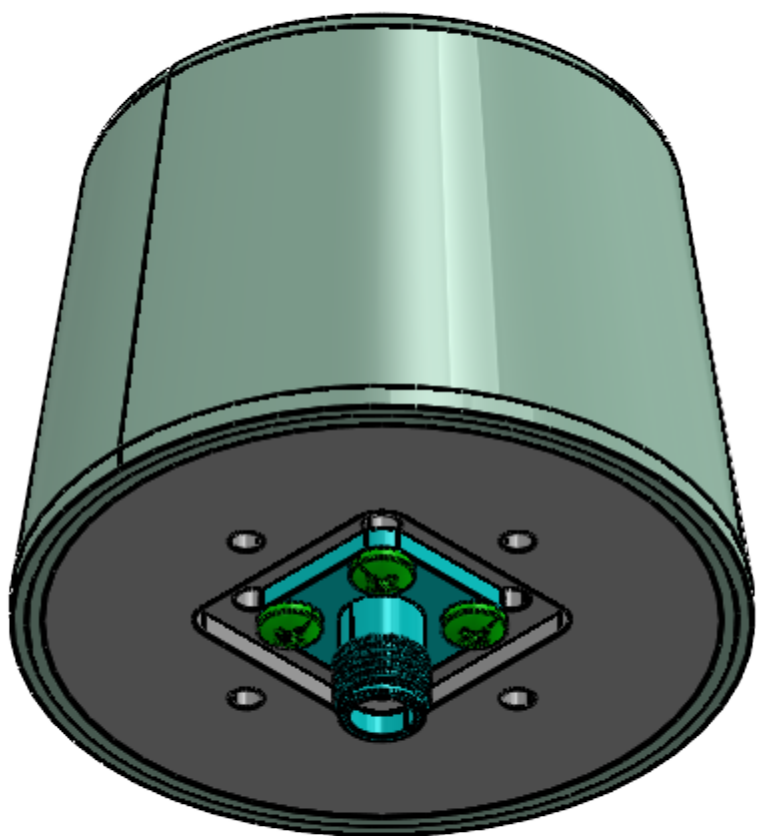
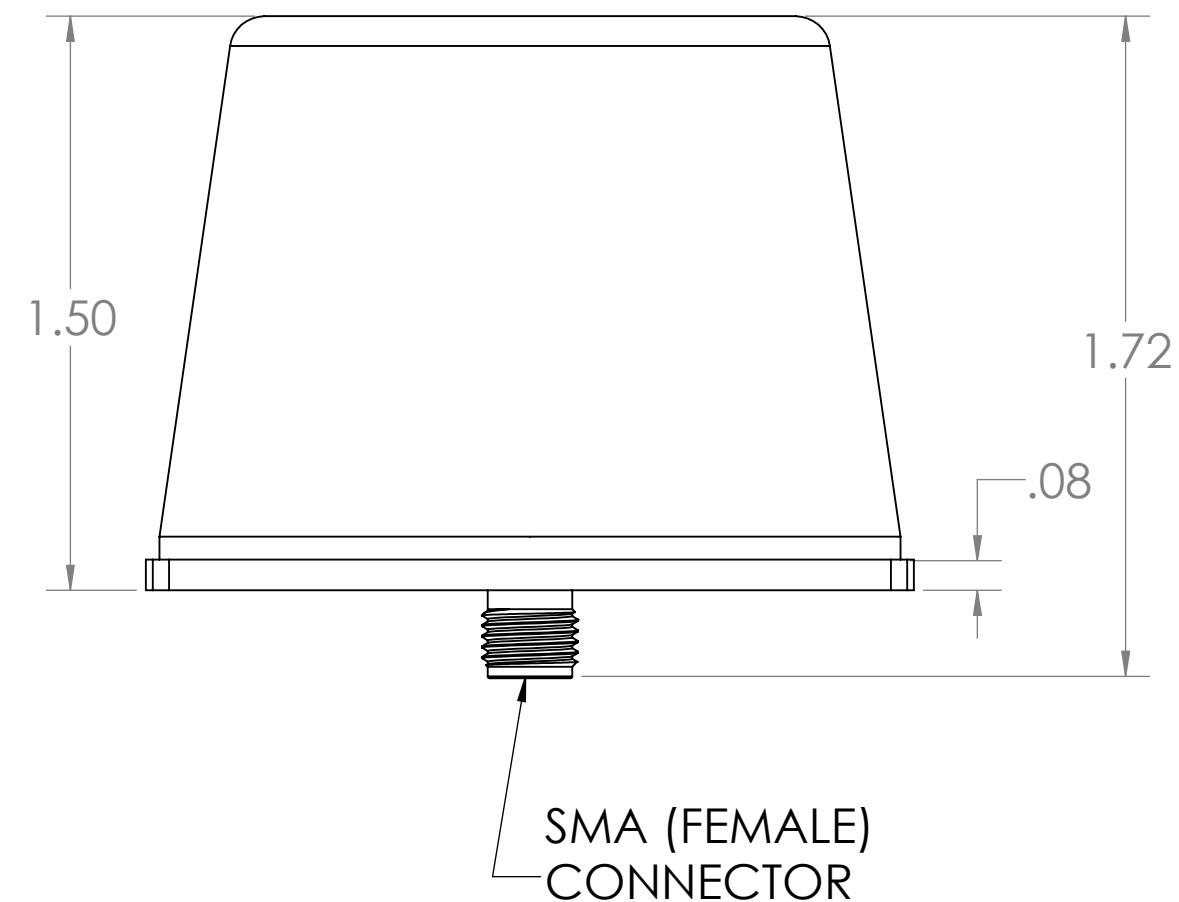
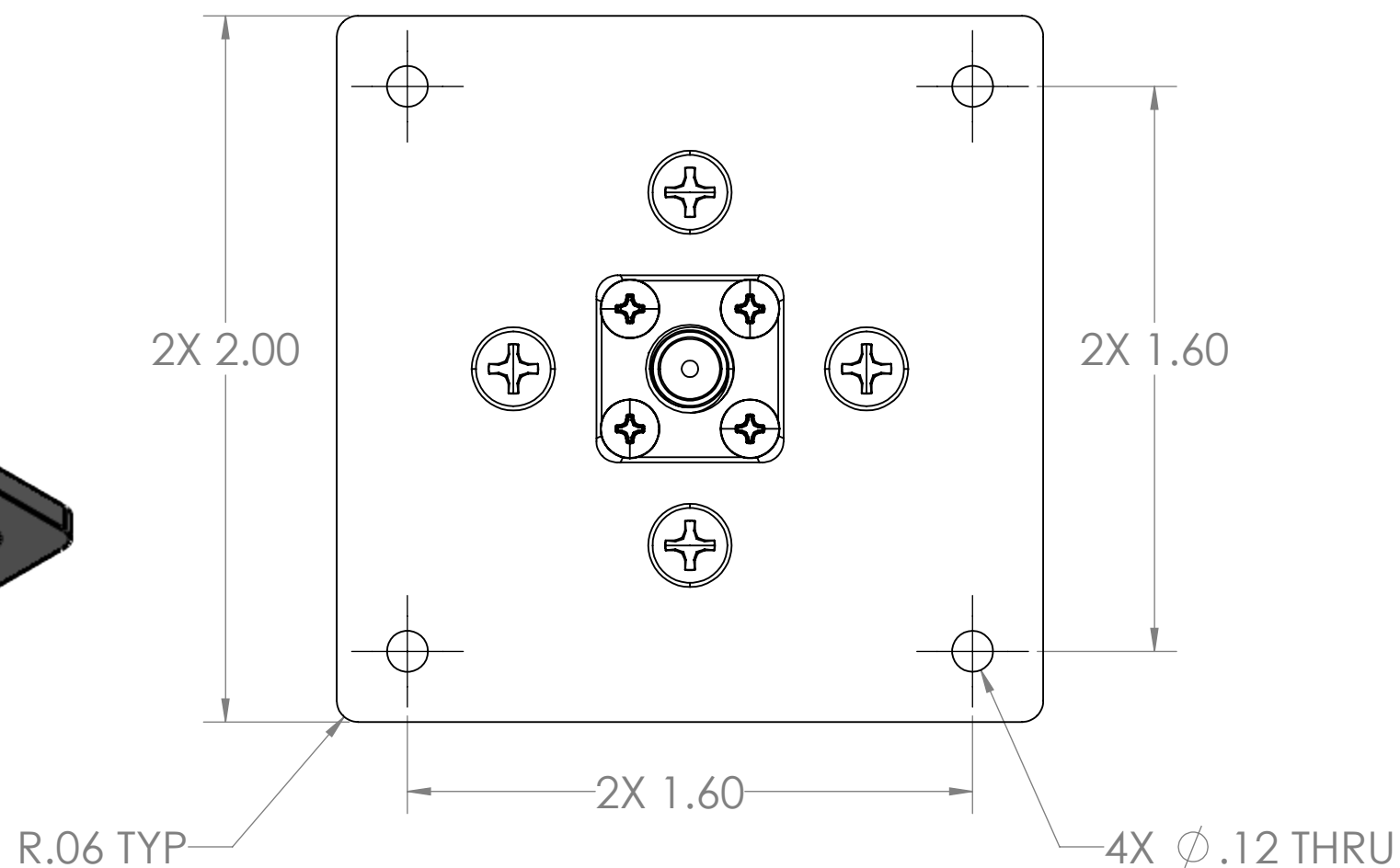
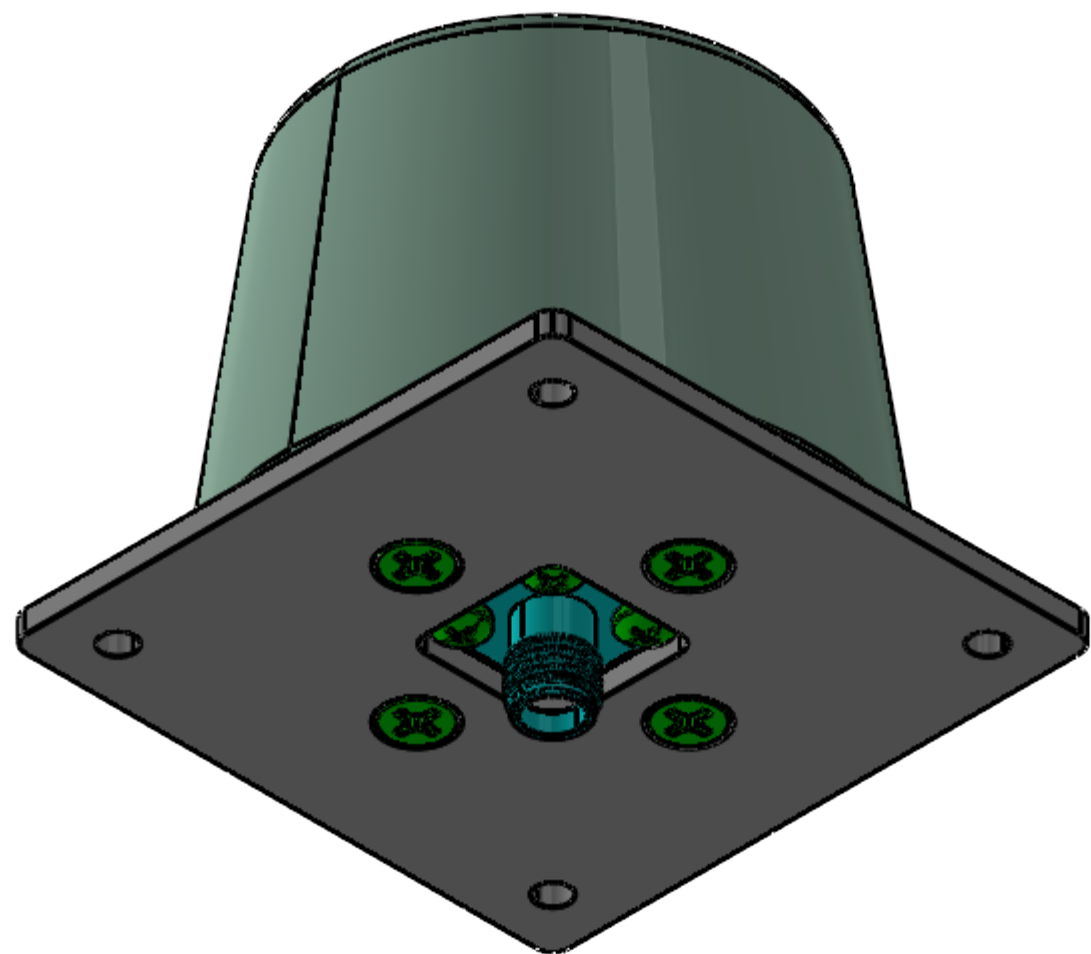
3

2

1

THIS DOCUMENT INVOLVES CONFIDENTIAL PROPRIETARY INFORMATION OF SIGNAL ANTENNA SYSTEMS, INC. AND SHALL NOT BE COPIED OR REPRODUCED IN WHOLE OR IN PART, NOR ITS CONTENTS REVEALED IN ANY MANNER TO ANY PERSON, EXCEPT TO MEET THE PURPOSE FOR WHICH IT WAS DELIVERED. ALL DESIGN, MANUFACTURING, REPRODUCTION, USE, AND SALE RIGHTS REGARDING THE SAME ARE EXPRESSLY RESERVED.

REVISIONS				
ZONE	REV.	DESCRIPTION	DATE	APPROVED
	A	INITIAL RELEASE	7/16/2025	AK



PROPRIETARY AND CONFIDENTIAL
THE INFORMATION CONTAINED IN THIS
DRAWING IS THE SOLE PROPERTY OF
SIGNAL ANTENNA SYSTEMS. ANY
REPRODUCTION IN PART OR AS A WHOLE
WITHOUT THE WRITTEN PERMISSION OF
SIGNAL ANTENNA SYSTEMS IS
PROHIBITED.

UNLESS OTHERWISE SPECIFIED:		NAME	DATE
DIMENSIONS ARE IN INCHES	DRAWN	A.K	7/16/25
TOLERANCES:	CHECKED	A.B	7/16/25
DECIMALS	ENG APPR.	A.B	7/16/25
ANGULAR: ±0°30'	MFG APPR.	N/A	7/16/25
XX ±0.3	Q.A.	J.L	7/16/25
XXX ±0.10	COMMENTS:		
XXXX ±0.0010			
INTERPRET GEOMETRIC TOLERANCING PER:			
MATERIAL			
N/A			
FINISH			
SEE NOTES			
APPLICATION			
DO NOT SCALE DRAWING			

SIGNAL ANTENNA SYSTEMS TITLE: UWB0218-1000: Wideband Omni Antenna (2 - 18 GHz)		
SIZE	DWG. NO.	REV
C	UWB-0218-1000-OM	A
SCALE: 2:1	WEIGHT:	SHEET 1 OF 1

4

3

2

1