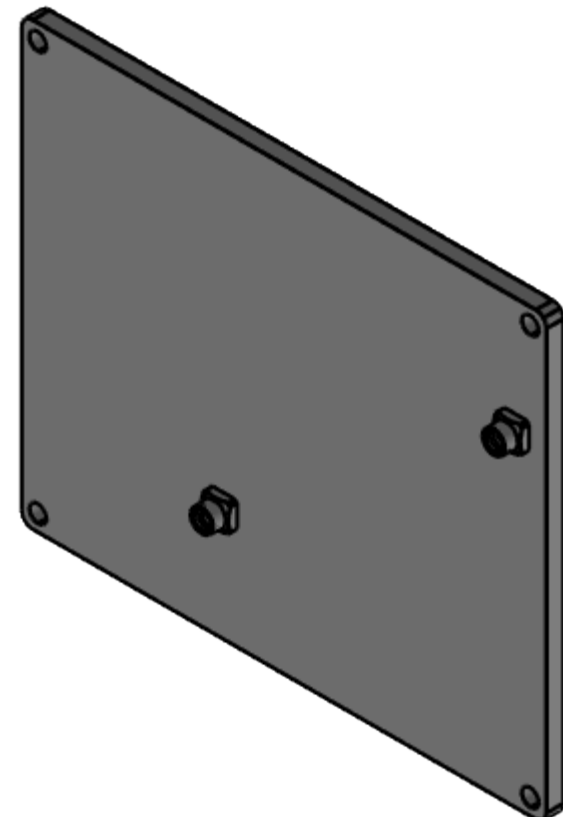
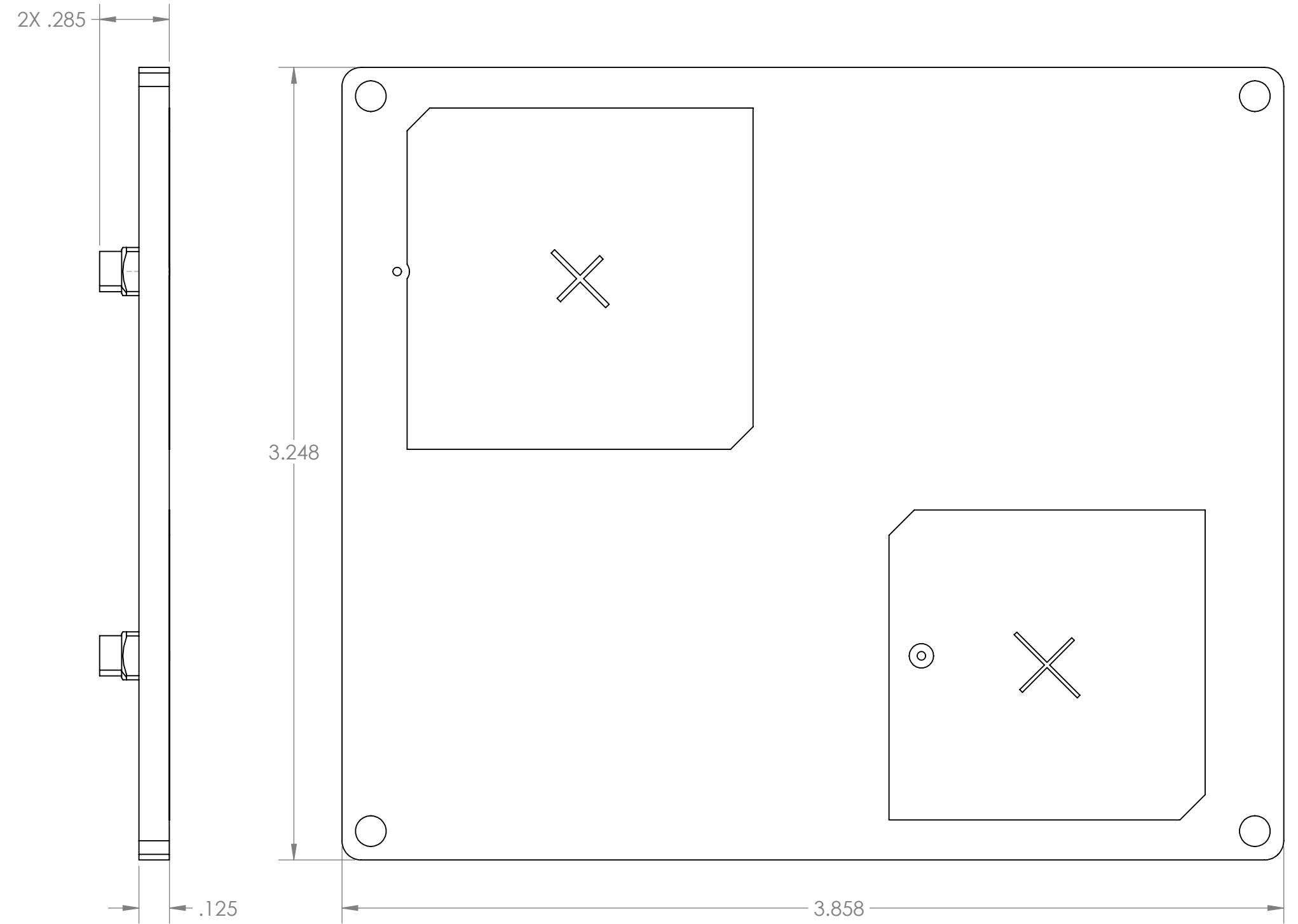
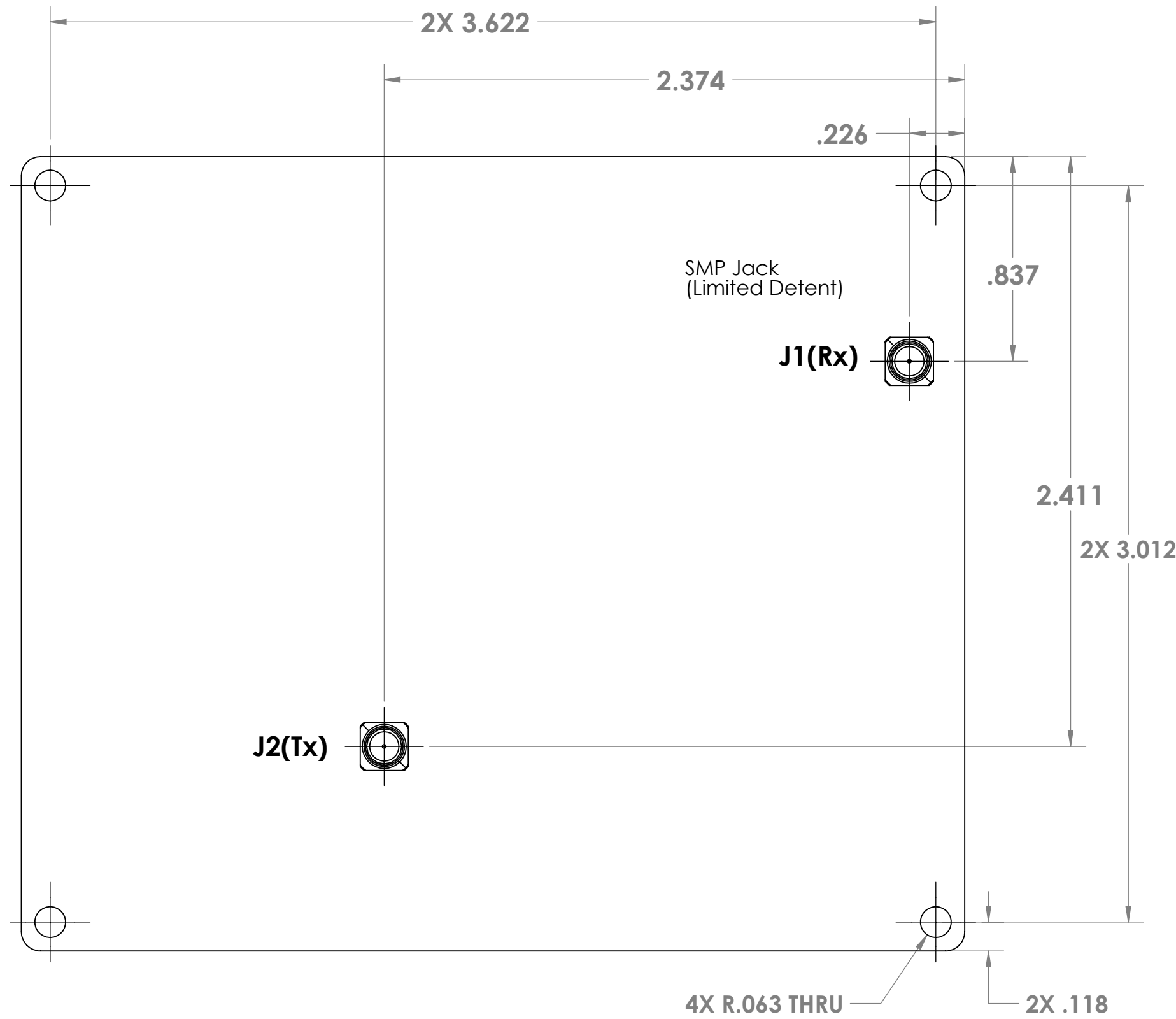


THIS DOCUMENT INVOLVES CONFIDENTIAL PROPRIETARY INFORMATION OF SIGNAL ANTENNA SYSTEMS, INC. AND SHALL NOT BE COPIED OR REPRODUCED IN WHOLE OR IN PART, NOR ITS CONTENTS REVEALED IN ANY MANNER TO ANY PERSON, EXCEPT TO MEET THE PURPOSE FOR WHICH IT WAS DELIVERED. ALL DESIGN, MANUFACTURING, REPRODUCTION, USE, AND SALE RIGHTS REGARDING THE SAME ARE EXPRESSLY RESERVED.

REVISIONS				
ZONE	REV.	DESCRIPTION	DATE	APPROVED
	A	INITIAL RELEASE	9/11/2025	AK



PROPRIETARY AND CONFIDENTIAL
 THE INFORMATION CONTAINED IN THIS DRAWING IS THE SOLE PROPERTY OF SIGNAL ANTENNA SYSTEMS. ANY REPRODUCTION IN PART OR AS A WHOLE WITHOUT THE WRITTEN PERMISSION OF SIGNAL ANTENNA SYSTEMS IS PROHIBITED.

UNLESS OTHERWISE SPECIFIED:		NAME	DATE
DIMENSIONS ARE IN INCHES	DECIMALS	DRAWN	A.K 9/11/25
TOLERANCES:	DECIMALS	CHECKED	A.B 9/11/25
ANGULAR: ±0°30'	XX ±0.3	ENG APPR.	A.B 9/11/25
XXX ±0.10	XXXX ±0.0010	MFG APPR.	N/A 9/11/25
INTERPRET GEOMETRIC TOLERANCING PER:	MATERIAL	Q.A.	J.L 9/11/25
	N/A	COMMENTS:	
FINISH	SEE NOTES		
APPLICATION	DO NOT SCALE DRAWING		

TITLE:
S-Band Antenna (SPA5-2000DB-RX)

SIZE DWG. NO. REV
C SPA5-2000DB-RX-OM **A**
 SCALE: 2:1 WEIGHT: SHEET 1 OF 1